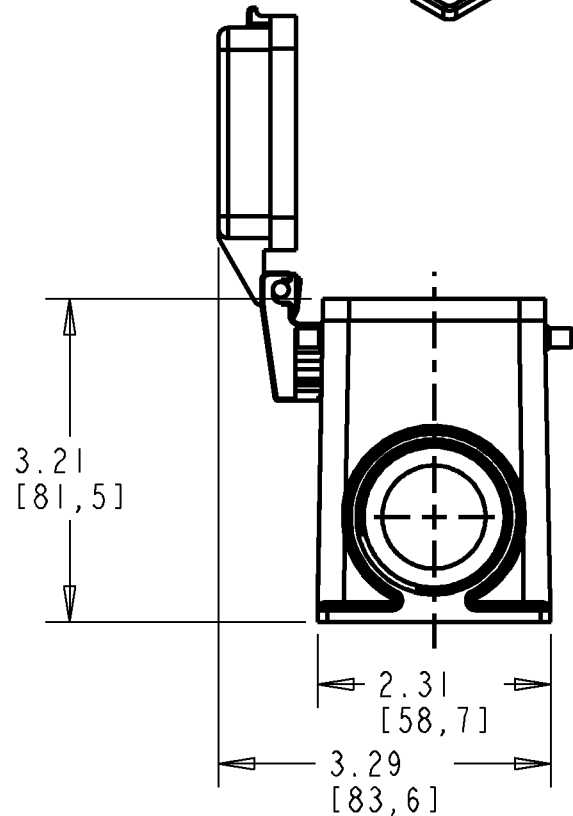
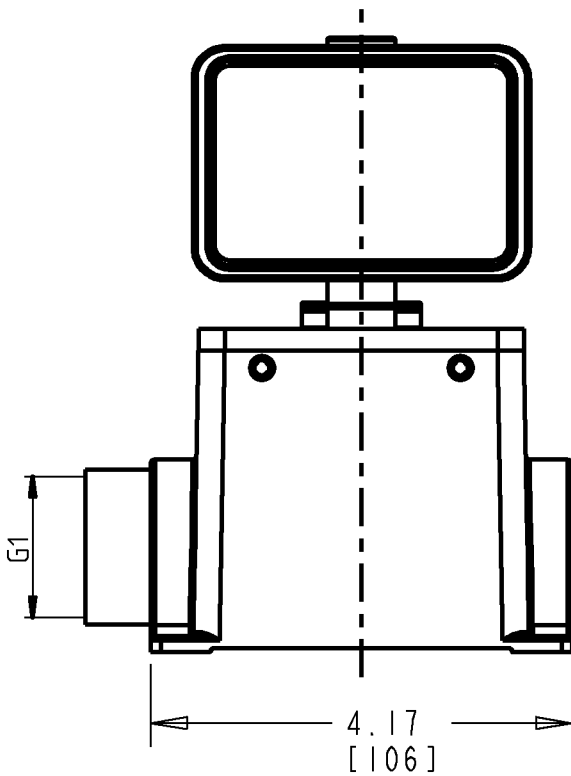
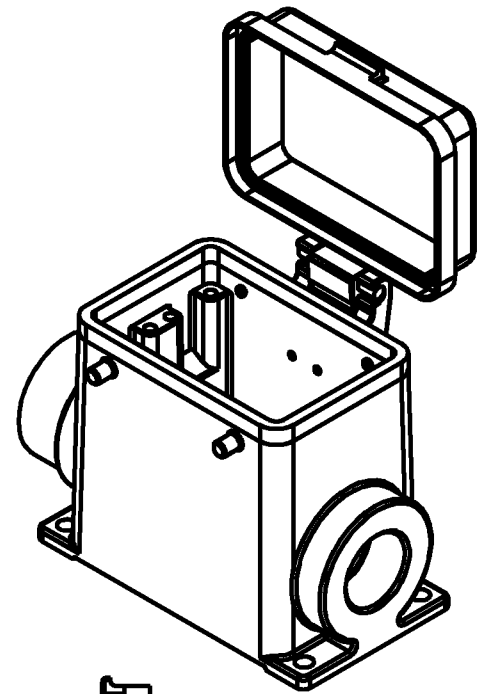
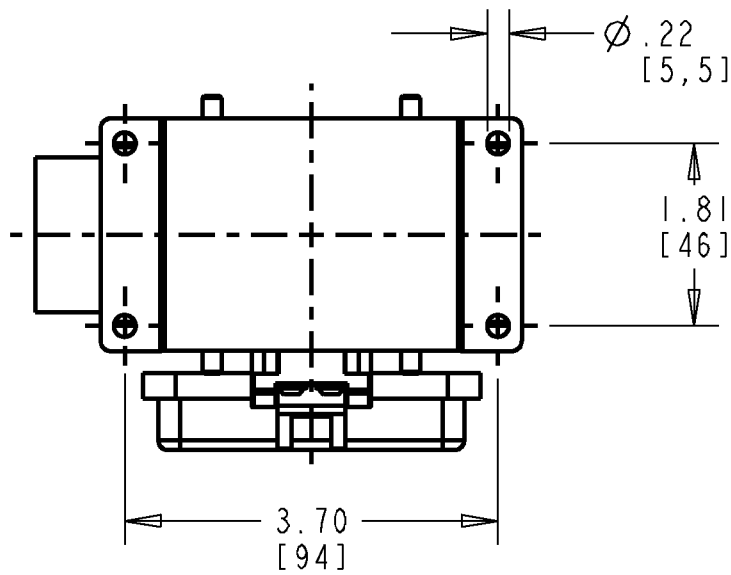


Pos-E-Kon™



CATALOG NO: BB232A100

GENERAL NOTES

1. ALL DIMENSIONS ARE FOR REFERENCE ONLY.
2. DIMENSIONS IN BRACKETS [] ARE IN METRIC UNITS.

REVISIONS

*** SEE ERN (****) FOR APPROVAL SIGNATURES & RELEASE DATE.
PROJECT NO: ****

Thomas & Betts
www.tnb.com

DESCRIPTION:

**BASE - BOX - SL
REV - A32 - 1" NPT PORTS**

ORIGINAL PROJECT NO / (ERN NO)

TM400024 / (2014448)

SHEET NO:

1 OF 1

REV. NO:

**

DRAWING NO:

WSD-001137