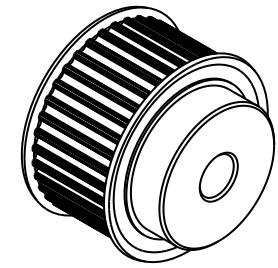
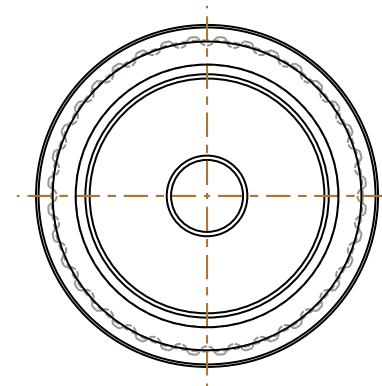
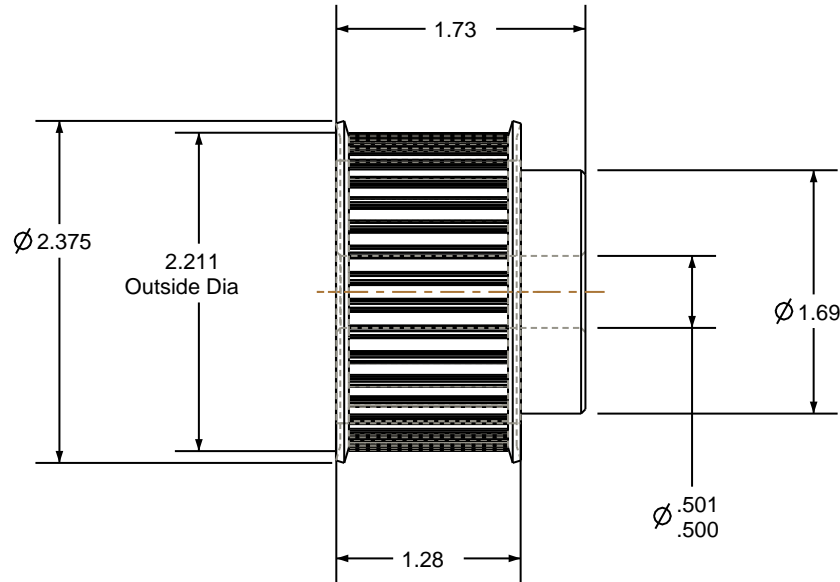


- NOTES:
1. Gates groove profile number: GB-01970-36-S-0
  2. Mark Size: .110



SCALE 0.500




Pulley Data		Tolerances
Number of Grooves:	36	Decimals .X $\pm .015"$ .XX $\pm .010"$ .XXX $\pm .005"$ Fractions $\pm 1/64"$ Angles $\pm 1^\circ$ TIR $.003$ Max
Belt Pitch:	5 mm	This document is the property of Gates Corporation. It may not be reproduced in whole or in part or provided to third parties without written authorization from Gates Corporation. All rights are reserved including copyrights.
Tooth Type:	PGGT	
Pitch Diameter:	2.256	
Outside Diameter:	2.211	
Surface Finish:	125 Micro	
Flange Size:	18L-FS	

Drafted By:	-
Checked By:	-
Approved By:	-

This drawing is a stock power transmission component. Details shown which do not affect drive function may be changed without any notification

Material: STEEL  
Finish: CLEAR ZINC

Rev	Revision	Date	By
 <b>Gates Corporation</b> <b>Denver, Colorado</b>		<b>Gates Part No: P36-5MGT-25-MPB</b>	
<b>Gates Product No: 7709-5036</b>		<b>Drawing Number: P36-5MGT-25-MPB</b>	