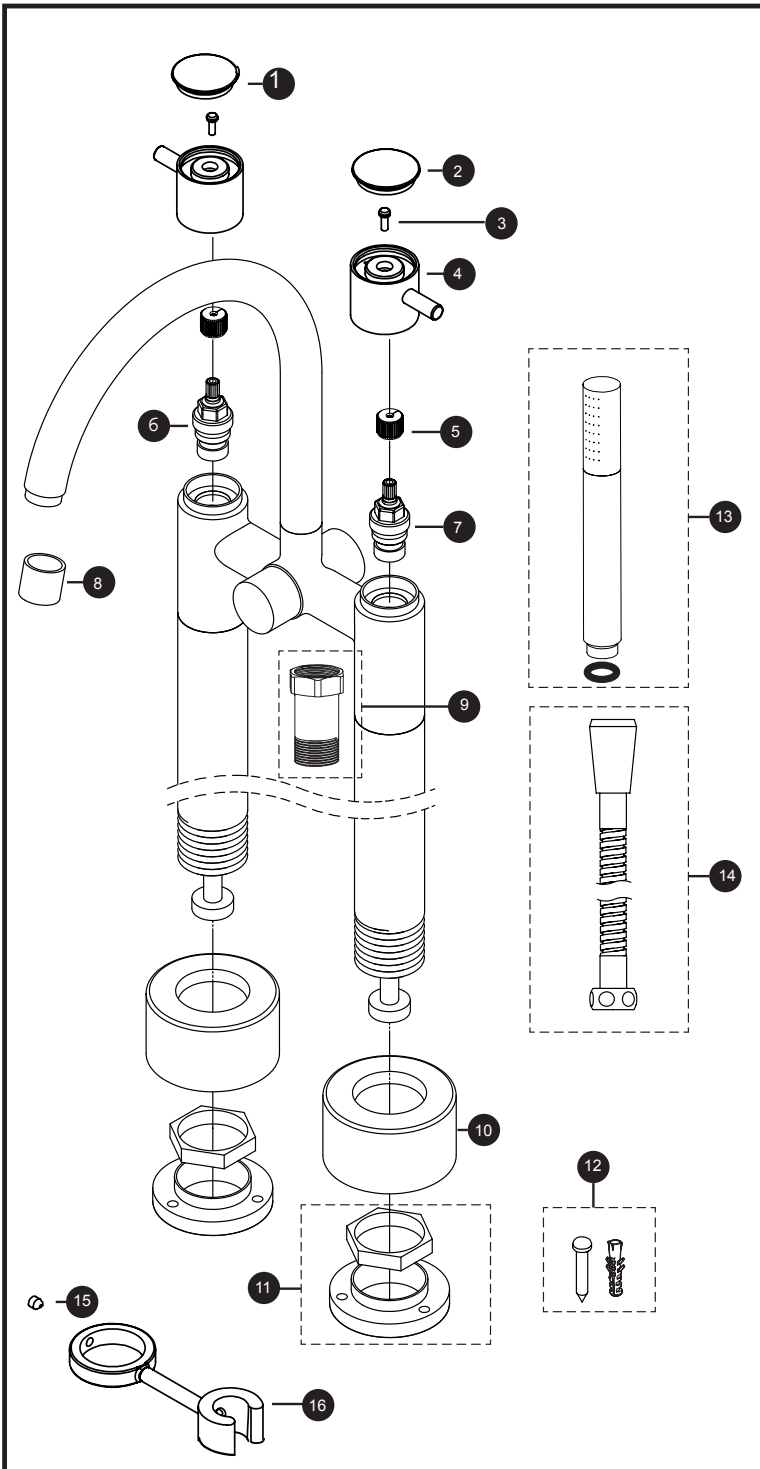


Double-Handle Freestanding Tub Filler



Item	Part	Description
1	THP4720#\$\$	Handle Cap (Hot)
2	THP4721#\$\$	Handle Cap (Cold)
3	THP4031	Screw & Washer (1 each)
4	THP4722#\$\$	Handle
5	THP4664	Spindle
6	THP4021	Cartridge (Hot)
7	THP4040	Cartridge (Cold)
8	THP4723#\$\$	Laminar Flow Nozzle
9	THP4797#\$\$	Adapter
10	THP4725#\$\$	Escutcheon
11	THP4726	Mounting Bracket & Lock Nut
12	THP4727	Self Tapping Screw with Anchor
13	THP4728#\$\$	Handshower with O-Ring
14	THP4729#\$\$	Handshower Hose
15	THP4718	Set Screw
16	THP4719#\$\$	Shower Holder Bracket

LEGEND
\$\$ = Denotes Finish
#CP = Polished Chrome
#BN = Brushed Nickel
#PN = Polished Nickel