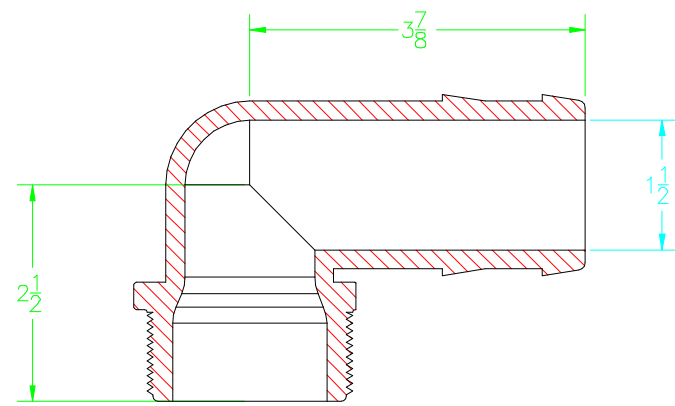


2" ANS BLUNT START
TAPER PIPE THD



BANJO CORPORATION
150 BANJO DR. * CRAWFORDSVILLE, IN 47933

PART NO.	HB20090
TITLE	2" NPT X 90 DEG HOSE BARB

THIS DRAWING AND ALL INFORMATION
CONTAINED THEREON ARE THE EXCLUSIVE
PROPERTY OF BANJO CORPORATION.
UNLESS SPECIFICALLY NOTED, THIS
DRAWING AND ITEMS SHOWN ON THIS
DRAWING ARE SUBJECT TO CHANGE
AT ANY TIME.