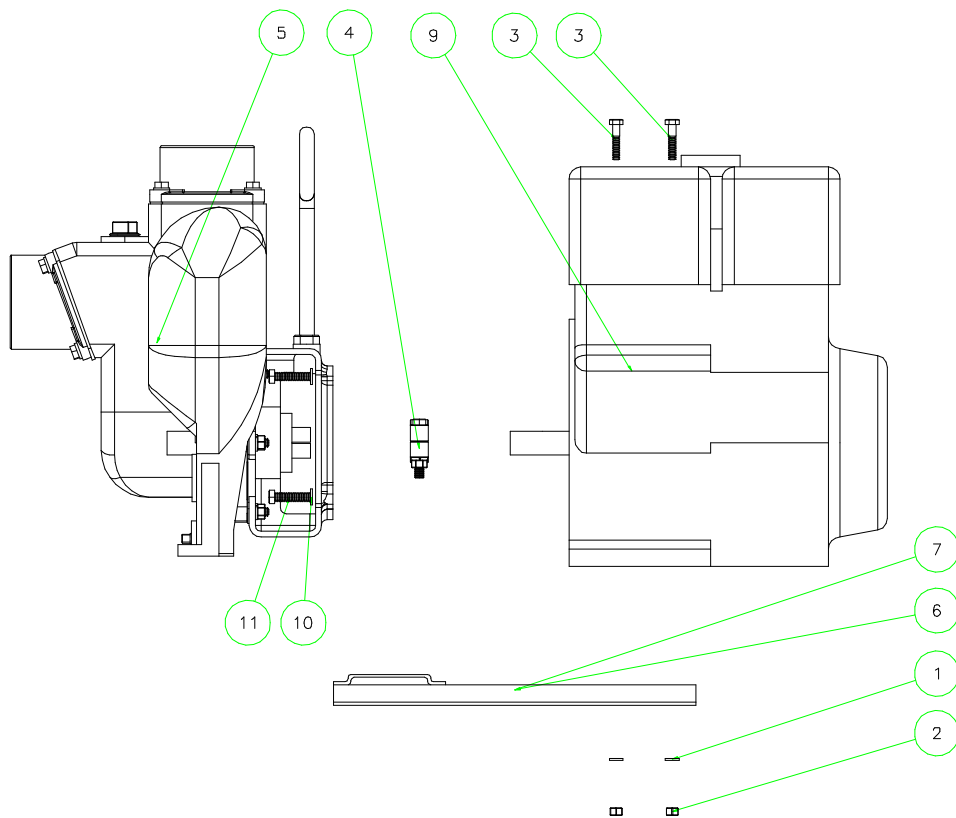



Parts List			
Item	Qty	PART NO.	DESCRIPTION
1	4	V10118	5/16" LOCKWASHER
2	4	V10119	5/16" HEX NUT
3	4	17034	5/16 X 1 3/4 HHCS
4	1	18129	CLAMP
5	1	300XPOI	3" C.I. PUMP ASSY.
6	1	18035A	MOTOR MT. (L.H.)
7	1	18035B	MOTOR MT. (R.H.)
8	1	12910	PUMP DECAL (N/S)
9	1	E13H	13 HP HONDA ENGINE
10	4	V20018	3/8" LOCKWASHER
11	4	18027	3/8-16 X 1 1/2" HHCS





**BANJO CORPORATION**  
150 BANJO DR. \* CRAWFORDSVILLE, IN 47933

PART NO. 300PIH-13

TITLE 3" CAST IRON PUMP W/ 13HP HONDA ENGINE

THIS DRAWING AND ALL INFORMATION CONTAINED THEREON ARE THE EXCLUSIVE PROPERTY OF BANJO CORPORATION. UNLESS SPECIFICALLY NOTED, THIS DRAWING AND ITEMS SHOWN ON THIS DRAWING ARE SUBJECT TO CHANGE AT ANY TIME.